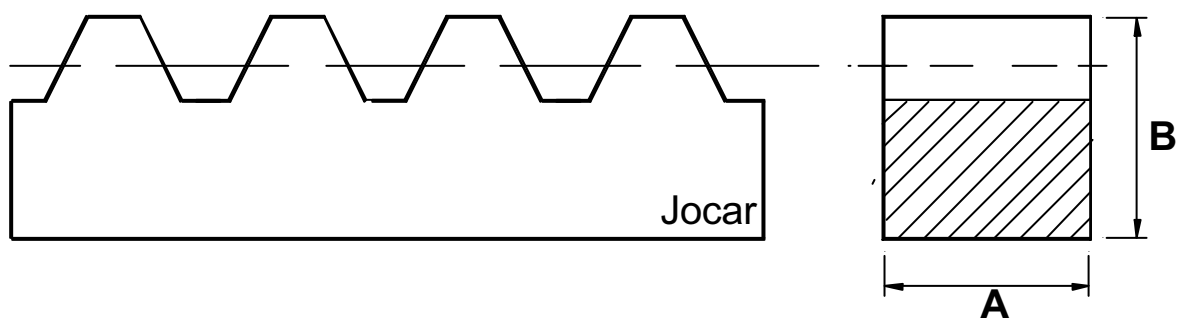


# CREMALLERA DENTADO RECTO

Angulo de presión 20° Material:Acero

MODULO	B x A
1	10 x 10
1	15 x 15
1,5	17 x 17
2	20 x 20
2,5	25 x 25
3	30 x 30
4	25 x 25
4	30 x 30
4	40 x 40
5	50 x 50
6	60 x 60

Longitud estándar : 2000 mm.



JOCAR TRANSMISIONES S.L.

c/Lezeaga, 4 48002 Bilbao

Tlf 94 427 53 40 Fax 94 427 54 93

[www.jocartransmisiones.com](http://www.jocartransmisiones.com)

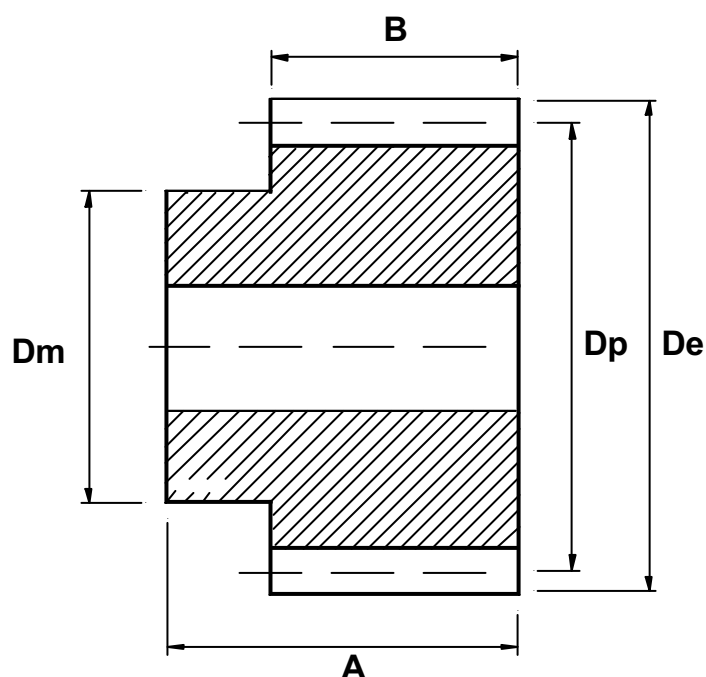
e-mail: [jocar@jocartransmisiones.com](mailto:jocar@jocartransmisiones.com)

# Engranaje cilíndrico

-Dentado recto - Angulo de presión 20°

Z	Módulo 1		Módulo 1,5		Módulo 2		Módulo 2,5		Módulo 3		Módulo 4		Módulo 5		Módulo 6	
	Dp	Dm	Dp	Dm	Dp	Dm	Dp	Dm	Dp	Dm	Dp	Dm	Dp	Dm	Dp	Dm
12	12	9	18.0	14	24	18	30.0	22	36	27	48	35	60	45	72	54
13	13	10	19.5	15	26	20	32.5	25	39	30	52	40	65	50	78	60
14	14	11	21.0	17	28	22	35.0	28	42	33	56	45	70	55		
15	15	12	22.5	18	30	24	37.5	30	45	35	60	45	75	60	90	70
16	16	13	24.0	20	32	25	40.0	32	48	38	64	50	80	65	96	75
17	17	14	25.5	20	34	25	42.5	35	51	42	68	50	85	70		
18	18	15	27.0	20	36	25	45.0	35	54	45	72	50	90	70	108	80
19	19	15	28.5	20	38	25	47.5	35	57	45	76	60	95	70		
20	20	16	30.0	25	40	30	50.0	40	60	45	80	60	100	80	120	90
21	21	16	31.5	25	42	30	52.5	40	63	45	84	70	105	80		
22	22	16	33.0	25	44	30	55.0	45	66	50	88	70	110	80		
23	23	18	34.5	25	46	30	57.5	45	69	50	92	75	115	90		
24	24	20	36.0	25	48	35	60.0	45	72	50	96	75	120	90		
25	25	20	37.5	25	50	35	62.5	50	75	60	100	75	125	90	144	110
26	26	20	39.0	30	52	40	65.0	50	78	60	104	75	130	100	150	110
27	27	20	40.5	30	54	40	67.5	50	81	60	108	75	135	100		
28	28	20	42.0	30	56	40	70.0	50	84	60	112	75	140	100		
29	29	20	43.5	30	58	40	72.5	50	87	60	116	75	145	110		
30	30	20	45.0	30	60	40	75.0	55	90	60	120	75	150	110		
31	31	25	46.5	35	62	45	77.5	55	93	60	124	80				
32	32	25	48.0	35	64	45	80.0	55	96	70	128	80				
33	33	25	49.5	35	66	45	82.5	55	99	70	132	80				
34	34	25	51.0	35	68	45	85.0	55	102	70	136	80				
35	35	25	52.5	35	70	45	87.5	60	105	70	140	80				
36	36	25	54.0	35	72	45	90.0	60	108	70	144	80				
37	37	25	55.5	40	74	50	92.5	60	111	70						
38	38	25	57.0	40	76	50	95.0	60	114	80						
39	39	25	58.5	40	78	50	97.5	60	117	80						
40	40	25	60.0	40	80	50	100.0	70	120	80						
41	41	30	61.5	40	82	55	102.5	70	123	80						
42	42	30	63.0	50	84	55	105.0	70	126	80						
43	43	30	64.5	50	86	55	107.5	70	129	80						
44	44	30	66.0	50	88	60	110.0	70	132	90						
45	45	30	67.5	50	90	60	112.5	70	135	90						
46	46	30	69.0	50	92	60	115.0	70	138	90						
47	47	30	70.5	50	94	70	117.5	80	141	100						
48	48	30	72.0	50	96	70	120.0	80	144	100						
49	49	30	73.5	50	98	70	122.5	80								
50	50	30	75.0	50	100	70	125.0	80								

	A	B	De
Módulo 1	25	15	Dp+ 2
Módulo 1,5	30	17	Dp+ 3
Módulo 2	35	20	Dp+ 4
Módulo 2,5	40	25	Dp+ 5
Módulo 3	50	30	Dp+ 6
Módulo 4	60	40	Dp+ 8
Módulo 5	75	50	Dp+ 10
Módulo 6	75	60	Dp+ 12



JOCAR TRANSMISIONES S.L.

c/Lezeaga, 4 48002 Bilbao

Tif 94 427 53 40 Fax 94 427 54 93

[www.jocartransmisiones.com](http://www.jocartransmisiones.com)

e-mail: [jocar@jocartransmisiones.com](mailto:jocar@jocartransmisiones.com)

# Engranaje cónico Relación 1:1 Angulo de presión 20°

M	Z	De	Dp	H	F	D	d	dm	L	Lm
1,5	16	26.1	24.0	18	8	18	8	23.8	17	8.9
	20	32.1	30.0	20	8	22	10	28.7	18	9.8
	22	35.1	33.0	20	8	25	10	30.2	18	9.7
	25	39.6	37.5	23	8	28	10	35.4	21	12
	30	47.1	45.0	25	10	30	12	39.7	22.2	12
2	16	34.8	32.0	20	9	25	10	28.8	17	9.3
	20	42.8	40.0	25	12	32	10	35.7	22	12
	22	46.8	44.0	25	12	36	10	37.7	22	11.7
	25	52.8	50.0	28	14	40	12	42.3	25	12.3
	30	62.8	60.0	30	16	50	12	47.8	27	12.8
2,5	16	43.5	40.0	25.5	10	32	12	37.3	22	13.3
	20	53.5	50.0	30.5	12	40	12	45.9	27	16
	22	58.5	55.0	30.5	12	45	12	48.3	27	15.9
	25	66.0	62.5	33.5	15	50	15	53.0	30	16
	30	78.5	75.0	35.5	18	55	15	59.1	32	16
3	16	52.2	48.0	30	12	40	15	44.2	26	16.2
	20	64.2	60.0	35	18	45	15	51.1	31	13.6
	22	70.2	66.0	35	18	50	15	54.0	31	13
	25	79.2	75.0	38	20	55	15	60.1	34	16
	30	94.2	90.0	40	22	60	20	68.1	36	19
3,5	16	60.9	56.0	35.5	16	45	15	50.8	31	17.2
	20	74.9	70.0	40.5	22	55	15	58.6	36	19
	22	81.9	77.0	40.5	22	60	15	62.0	36	18
	25	92.4	87.5	43.5	26	65	20	67.5	39	18
	30	109.9	105.0	45.5	30	70	20	75.4	41	17
4	16	69.6	64.0	38	18	50	15	55.6	33	16.6
	20	85.6	80.0	43	25	60	18	63.8	38	18
	22	93.6	88.0	43	25	65	18	67.7	38	18
	25	105.6	100.0	45	28	70	20	73.5	40	18
	30	125.6	120.0	48	32	80	25	83.7	43	16
4,5	16	78.3	72.0	43	20	55	18	63.0	37	18.5
	20	96.3	90.0	48	28	65	20	71.5	42	18
	22	105.3	99.0	48	28	70	20	75.8	42	18
	25	118.8	112.5	50	32	75	20	81.8	44	18
	30	141.3	135.0	53	35	90	25	93.8	47	17
5	16	87.0	80.0	45.5	22	60	20	67.8	39	17.8
	20	107.1	100.0	50.5	30	70	20	77.3	44	18.5
	22	117.1	110.0	50.5	30	80	20	82.2	44	18.5
	25	132.1	125.0	54.5	35	90	20	90.2	48	18.5
	30	157.1	150.0	56.5	38	110	30	102.4	50	18

